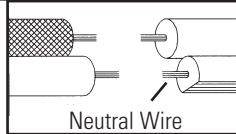


CHAIN MOUNT INSTALLATION

- 1) Screw stem to coupling on fixture body.
- 2) Attach loop to stem, passing wire through stem and loop.
- 3) Attach chain to loop, and adjust chain over-all length by removing links if necessary.
- 4) Attach small loop to end of chain.
- 5) Pass threaded pipe at end of small loop through hole in canopy. Slip lockwasher over threaded pipe and screw hex-nut onto threaded pipe.
- 6) Pass wire through chain and loop, into canopy.
- 7) Find the appropriate threaded holes on mounting strap. Assemble mounting screws into threaded holes.
- 8) Attach mounting strap to outlet box. (Screws not provided). Mounting strap can be adjusted to suit position of fixture.
- 9) Make wire connections (connectors not provided.) Reference chart below for correct connections and wire accordingly.

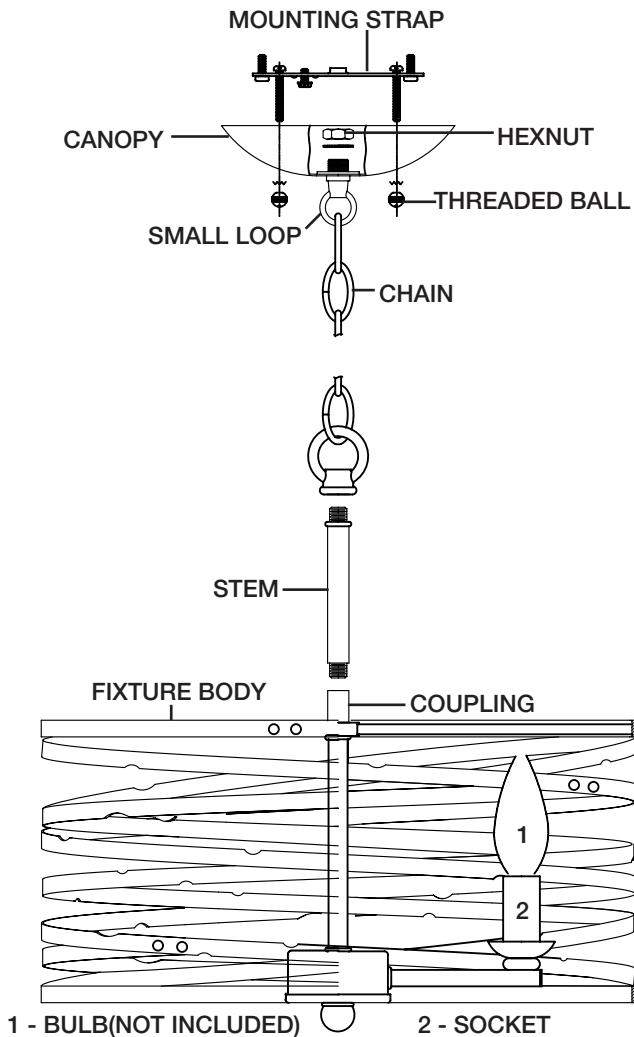
Connect Black or Red Supply Wire to:	Connect White Supply Wire to:
Black	White
*Parallel cord (round & smooth)	*Parallel cord (square & ridged)
Clear, Brown, Gold or Black without tracer	Clear, Brown, Gold or Black with tracer
Insulated wire (other than green) with copper conductor	Insulated wire (other than green) with silver conductor

*Note: When parallel wires (SPT I & SPT II) are used. The neutral wire is square shaped or ridged and the other wire will be round in shape or smooth (see illus.)



- 10) Push fixture to ceiling, carefully passing mounting screws through holes in canopy.
- 11) Secure fixture to ceiling with knurl knobs.
- 12) Insert recommended bulbs (not included).

CHAIN MOUNT INSTALLATION



INSTRUCTIONS

For Assembling and Installing Fixtures in Canada
Pour L'assemblage et L'installation Au Canada

SEMI FLUSH INSTALLATION

- 1) Screw stem to coupling on fixture using threaded pipe.
- 2) Pass threaded pipe through canopy - be sure to pull fixture wire through.
- 3) Slip lockwasher over threaded pipe, protruding to inside of canopy. Screw hexnut on to threaded pipe.
- 4) Follow steps 8 - 12 in Chain Mount Installation instructions.

SEMI FLUSH INSTALLATION

